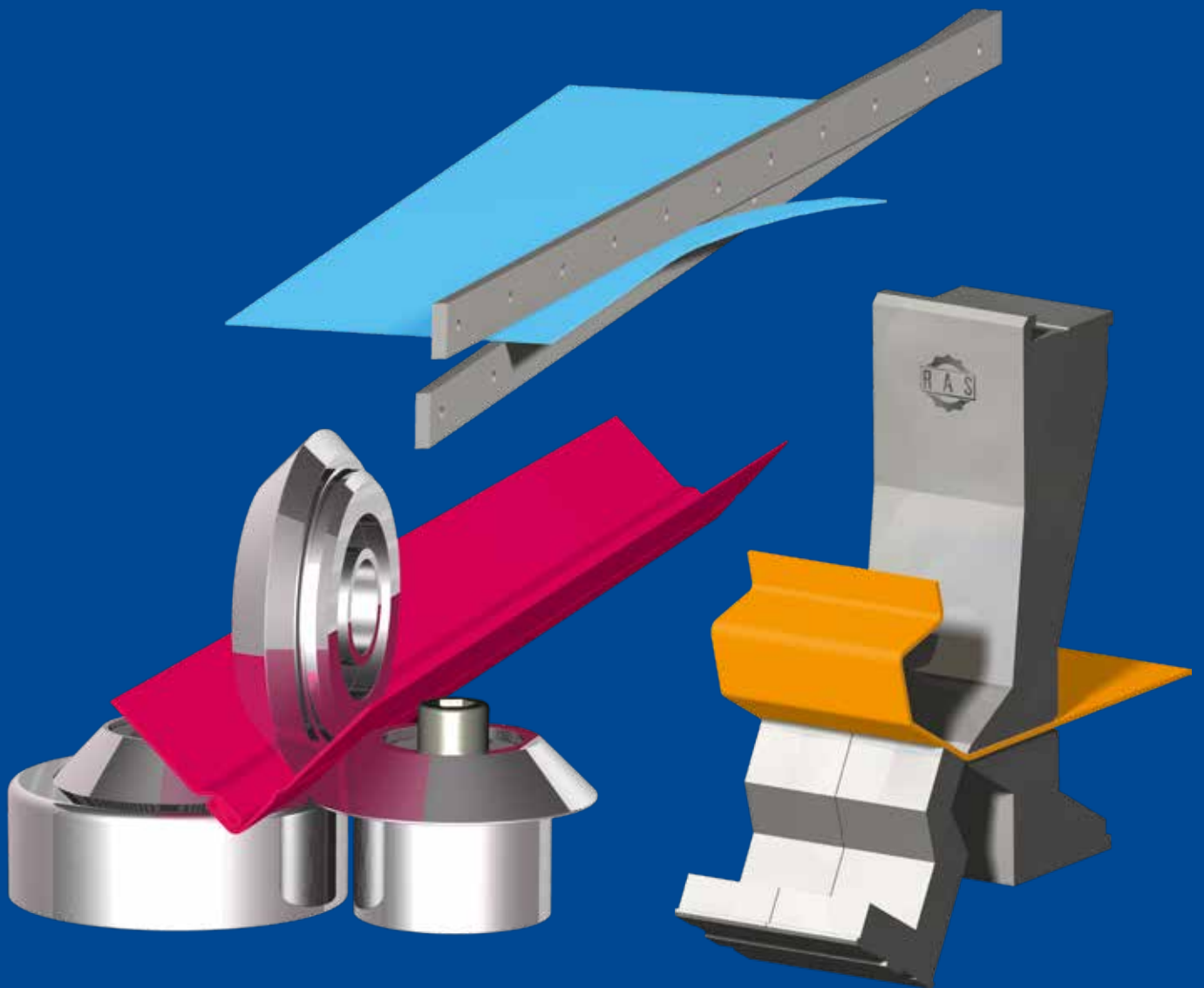


INNOVATION MADE IN GERMANY



# Production Program



CUTTING

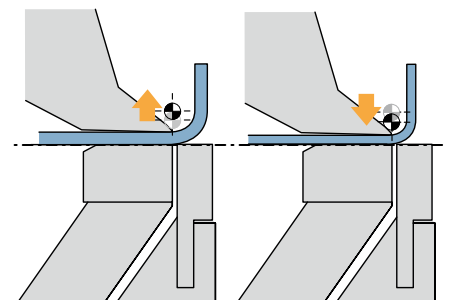
BENDING

FORMING

SOFTWARE

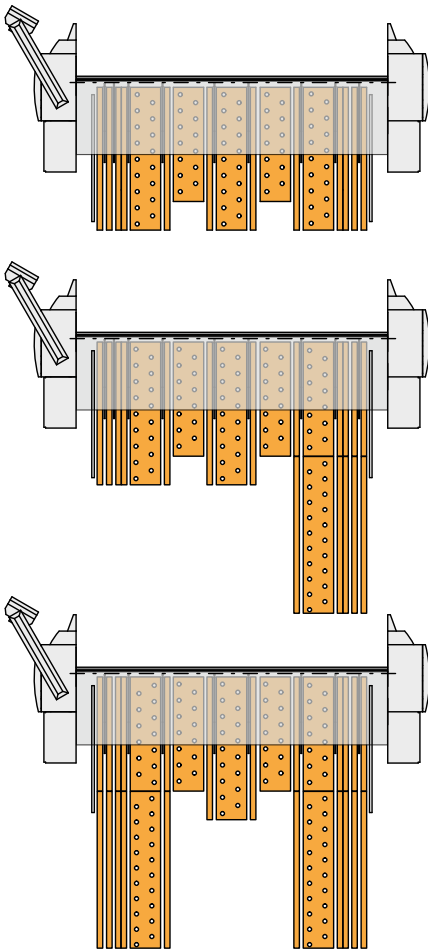
# Folding Machines

## GIGAbend



Tall upper beam tools used for deep boxes (500 mm opening height).

Automatic adjustment of machine to sheet thickness and bend radius.



Gauging system options: rectangular, J, and U shape.



Part design flexibility due to slim but rigid tools.



Upper beam tool with large front free space.



Optional digital display for folding beam adjustment.



The PowerBooster clamps the blanks with 120 tons of pressure to guarantee straight bends.



During the folding sequence the sheet rests on the machine table. No need to lift the part.

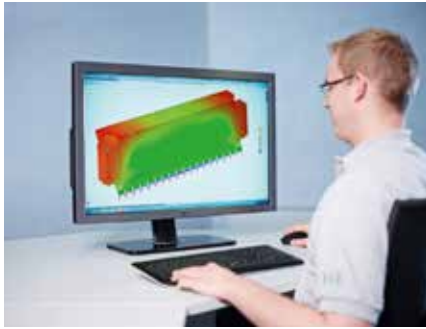


Quick tool set-ups due to the automatic tool clamping system.



At the same time, the PowerBooster offers impressive performance when hems need to be closed.

Technical data	Bending length max.	Sheet thickness max.
GIGAbend RAS 76.40	4060 mm	5.0 mm
GIGAbend RAS 76.30	3200 mm	6.0 mm



Design



Sawing



Plasma cutting



Milling



Turning



Grinding



Welding



Powder coating



Assembly



Electrical assembly



Quality inspection



RAS - Regional production for global sustainability





INNOVATION MADE IN GERMANY



09. 2018



Headquarters in Sindelfingen. In the foreground „Steel object“.



Effringen - factory and artwork



RAS Systems LLC in Georgia, USA

All sheet thickness refer to 400 N/mm<sup>2</sup> tensile strength. Subject to changes. Pictures may show options.



Founder Wilhelm Reinhardt



Managing Directors Rainer Stahl and Willy Stahl

**RAS Reinhardt Maschinenbau GmbH**

Richard-Wagner-Straße 4-10 | 71065 Sindelfingen

Fon: + 49-7031-863-0 | info@RAS-online.de

[www.RAS-online.de](http://www.RAS-online.de)