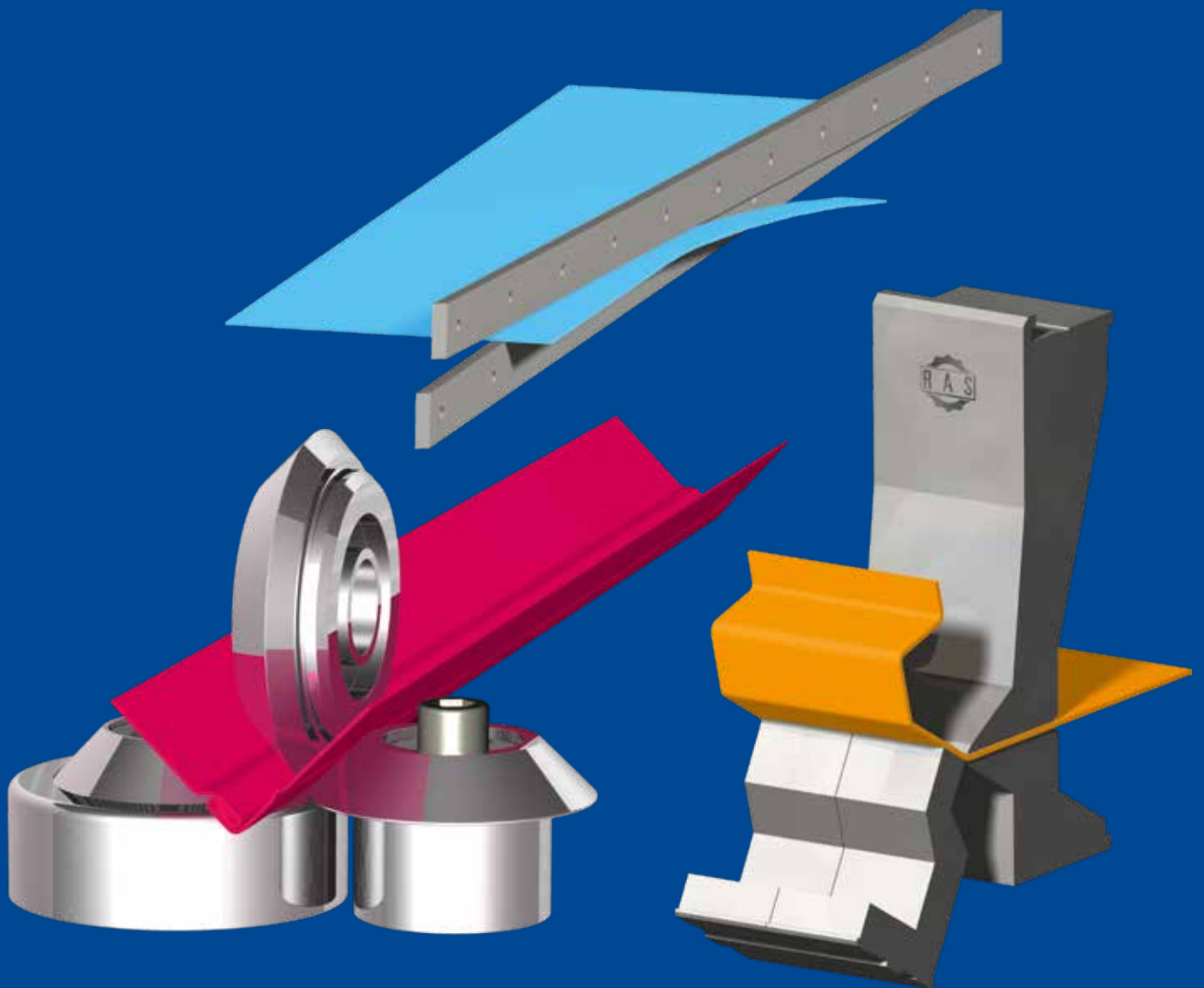


INNOVATION MADE IN GERMANY



# Production Program



CUTTING

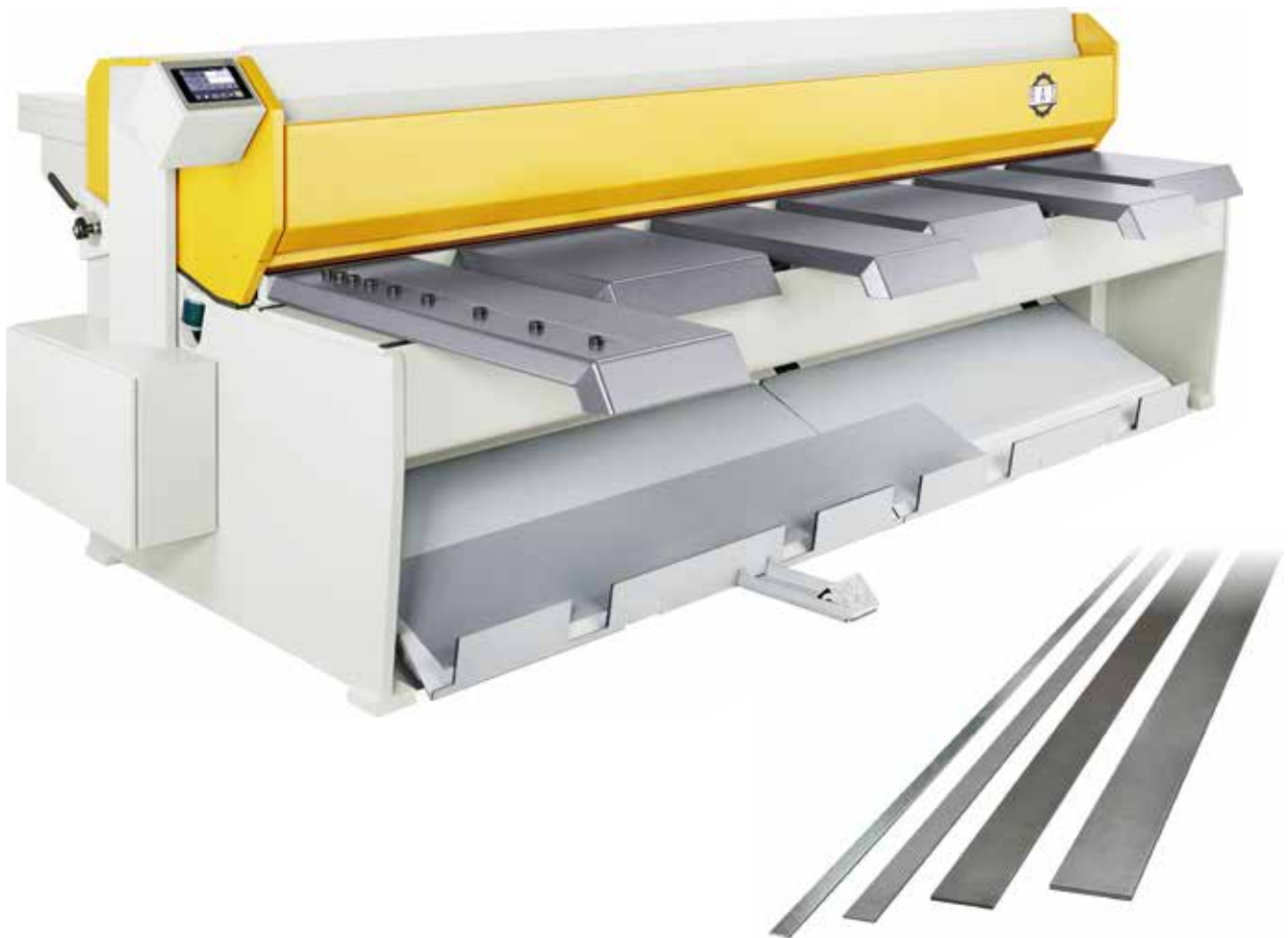
BENDING

FORMING

SOFTWARE

# Swing Beam Shears

## PRIMEcut



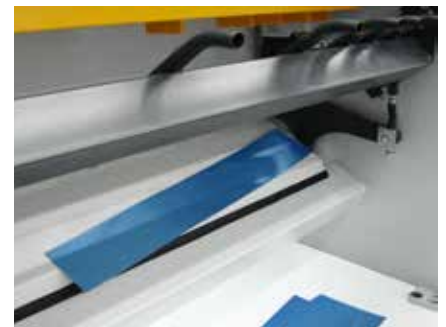
Twist free cutting even on small strips.



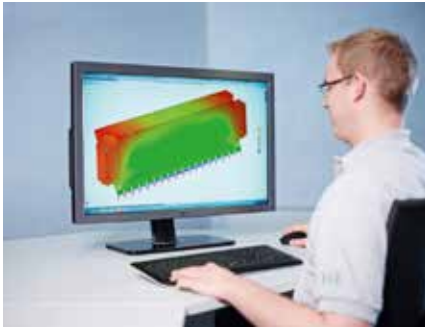
Control with touch screen monitor.



Lever for the cutting gap adjustment on the PRIMEcut.



Parts chute for cut piece delivery to the rear.



Design



Sawing



Plasma cutting



Milling



Turning



Grinding



Welding



Powder coating



Assembly



Electrical assembly



Quality inspection



RAS - Regional production for global sustainability





INNOVATION MADE IN GERMANY



09. 2018



Headquarters in Sindelfingen. In the foreground „Steel object“.



Efringen - factory and artwork



RAS Systems LLC in Georgia, USA

All sheet thickness refer to 400 N/mm<sup>2</sup> tensile strength. Subject to changes. Pictures may show options.



Founder Wilhelm Reinhardt



Managing Directors Rainer Stahl and Willy Stahl

**RAS Reinhardt Maschinenbau GmbH**

Richard-Wagner-Straße 4-10 | 71065 Sindelfingen

Fon: + 49-7031-863-0 | [info@RAS-online.de](mailto:info@RAS-online.de)

[www.RAS-online.de](http://www.RAS-online.de)