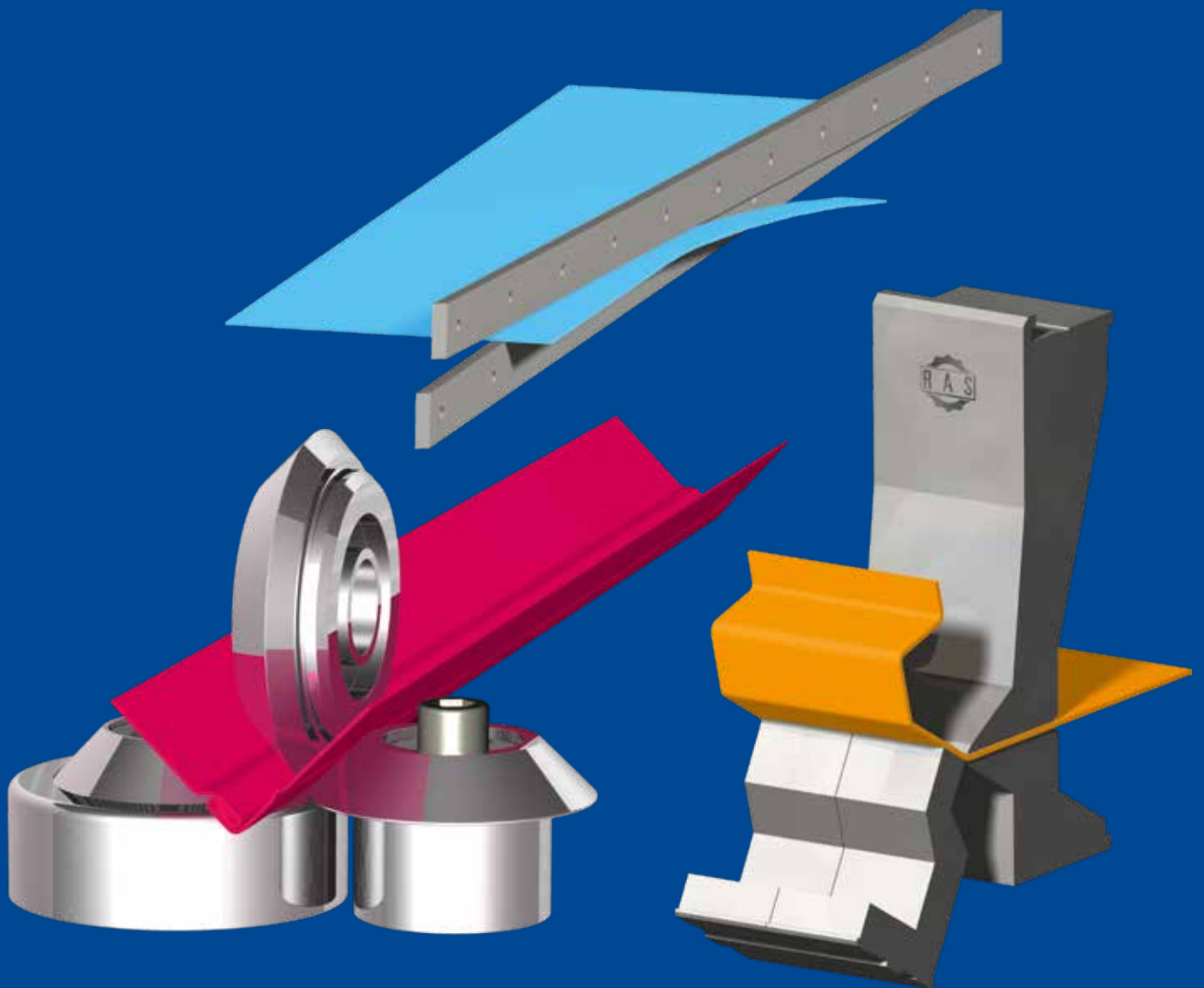


INNOVATION MADE IN GERMANY



Production Program



CUTTING

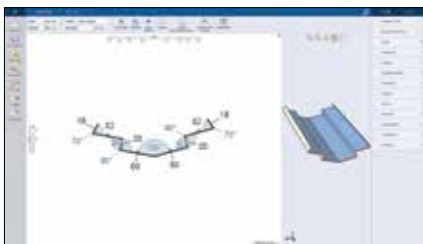
BENDING

FORMING

SOFTWARE

Bending Centers

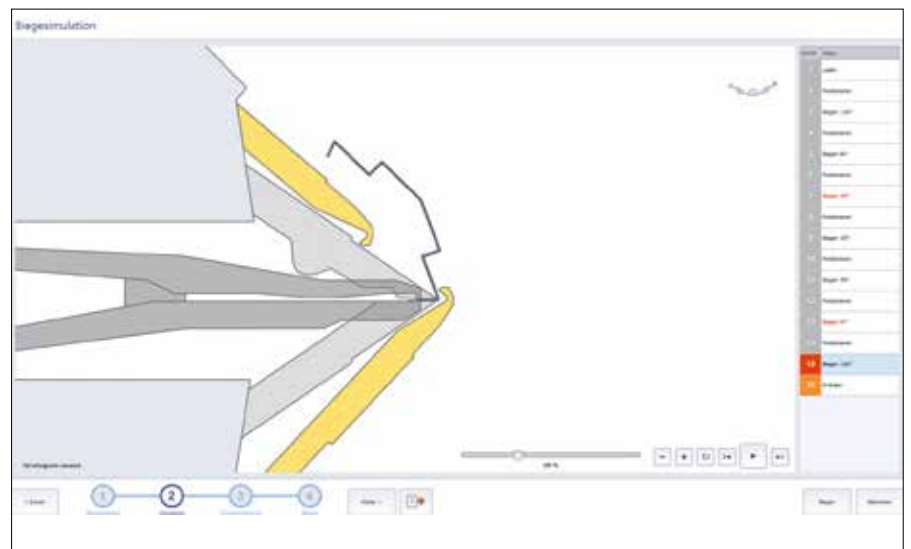
XL-Center



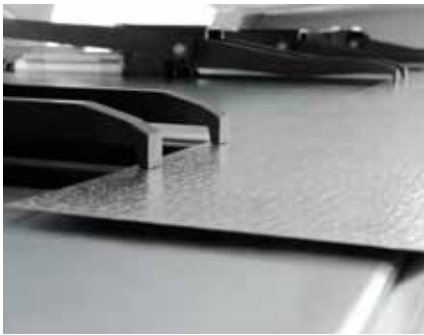
Drawing of a profile on the touchscreen monitor. Automatic programming of the bending sequence with just one mouse click. No expert knowledge required. New profiles can already be evaluated in the office.



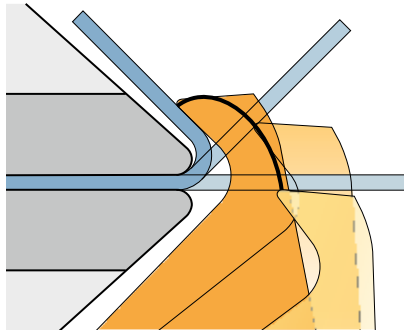
If several bending sequences are possible, the software proposes the best option with a 5-star ranking.



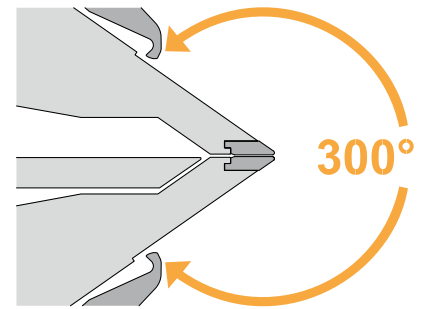
2D or 3D simulation of the bending sequences and visualization of possible collisions.



Grippers position the part. This ensures precise flange dimensions and fast bending sequences.



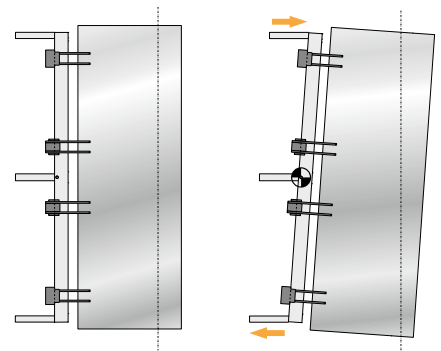
Scratch-free bending of pre-coated materials as the folding beam tool rolls away from the flange.



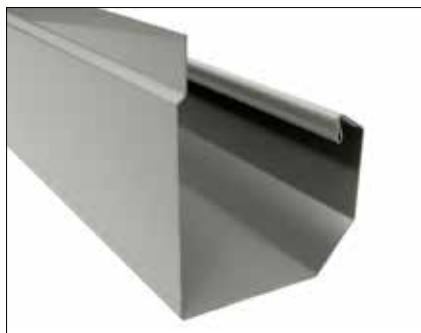
Many parts geometries can be bent due to a 300 degree free space in front of the folding beam (patented).



No part rotation required since the machine bends up and down. High productivity due to fast bending cycles.

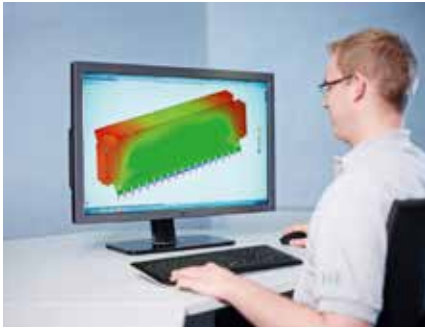


The gauging system can produce automatically tapered parts.



No programming required for accurate and perfectly interlocking profiles (tapered parts).

| Technical data | Bending length max. | Sheet thickness max. | Backstop |
|---------------------|---------------------|----------------------|--------------|
| XL-Center RAS 63.30 | 3200 mm | 1.5 mm | 6.5 - 750 mm |



Design



Sawing



Plasma cutting



Milling



Turning



Grinding



Welding



Powder coating



Assembly



Electrical assembly



Quality inspection



RAS - Regional production for global sustainability



INNOVATION MADE IN GERMANY



09. 2018



Headquarters in Sindelfingen. In the foreground „Steel object“.



Efringen - factory and artwork



RAS Systems LLC in Georgia, USA

All sheet thickness refer to 400 N/mm² tensile strength. Subject to changes. Pictures may show options.



Founder Wilhelm Reinhardt



Managing Directors Rainer Stahl and Willy Stahl

RAS Reinhardt Maschinenbau GmbH

Richard-Wagner-Straße 4-10 | 71065 Sindelfingen

Fon: + 49-7031-863-0 | info@RAS-online.de

www.RAS-online.de